

WFG-80 8-Way Lighting/General Controller

Operating Manual

This document is online at <http://www.wifitrax.com/manuals/WFG-80/WFG-80-Manual.pdf>.

Please see our website for information on our limited warranty.

WifiTrax Model Science



www.wifitrax.com

Version 1.0 March 17, 2021

© WifiTrax Model Science 2021 All Rights Reserved

This product is not a toy. Keep away from children. It is not suitable for use by persons under 14 years of age.
Warning: This product contains chemicals known to the state of California to cause cancer, birth defects or other reproductive harm.

WFG-80 8-Way Lighting/General Controller Operating Manual

Version History

Version	Changes
1.0	Initial Release

Applicable Firmware Version

This manual applies to WFG-80 Firmware Versions 2.0.0 or later.

Table of Contents

Applicable Firmware Version	2
Table of Figures	4
What does WFG-80 8-Way Lighting/General Controller do?	5
Let's get Started!.....	6
Connecting your new WFG-80 Cab Bus Wi-Fi Interface	6
Installation Instructions	8
Testing and Configuring your WFG-80.....	9
Connecting using an Apple IOS Phone or Tablet	9
Connecting using Android.....	10
Connecting using Windows.....	10
Testing using the WFG-80 Web pages.....	10
Operational Options for the WFG-80.....	11
Some Background	11
Use WFG-80 Web Pages on a Phone, Tablet or Computer.....	13
Use WFD-60 as a WiThrottle Protocol Gateway.....	14
Use WFD-60 as a DCC Gateway	15
Use the Tower Operator App on Windows or Android	16
The WFG-80 Web Pages in Detail	16
Main Menu Page.....	17
Settings Page.....	17
Home Net Page	19
Light Channels Page	19
WFG-80 Light Channel Edit Page	20
Dimmer Channels Page.....	21
Dimmer Edit Page	21

WFG-80 8-Way Lighting/General Controller Operating Manual

Reset Page..... 22

Tips to Manage your Home Network..... 23

 Connection to your Home Router..... 23

 Home Net IP Address Assignment 23

 Reserving a Fixed IP Address..... 25

More Information 26

FCC Information 27

EU Declaration of Conformity 28

Table of Figures

Figure 1 Connections and switches on the WFG-80	5
Figure 2 Connections for Light Emitting Diodes (LEDs).....	6
Figure 3 Connection Diagram for Grain-of-Wheat Lamps	7
Figure 4 Connecting two-lamp signals with a common lead	8
Figure 5 Connecting three-lamp signals with a common lead.....	8
Figure 6 Mounting Suggestion	9
Figure 7 WFG-80 Web Pages - Main Menu.....	10
Figure 8 WFG-80 Web Pages – Light Channel List	11
Figure 9 The Dimmer Channels List	11
Figure 10 Options for control of lights using the WFG-80	12
Figure 11 Control of WFG-80 using only its Web Pages	13
Figure 12 Controlling the WFG-80 via a WFD-60 and WiThrottle Protocol Devices.....	14
Figure 13 Controlling the WFG-80 using DCC such as an NCE Command Station/Booster	15
Figure 14 Using the WifiTrax Tower Operator App to control WFG-80 with lights in buildings and signals.....	16
Figure 15 WFG-80 Main Menu page	17
Figure 16 WFG-80 Settings page	18
Figure 17 WFG-80 Home Net page	19
Figure 18 WFG-80 Light Channels page	20
Figure 19 WFG-80 Light Channel Edit page	21
Figure 20 WFG-80 Dimmer Channels page	21
Figure 21 Dimmer Channel Edit page	22
Figure 22 The Factory Reset page	22
Figure 23 Using ipconfig to find your computer's IP address and default gateway	23
Figure 24 Access your router by using the IP Address of your default gateway in a browser	24
Figure 25 A typical router admin page.....	24
Figure 26 Typical "Attached Devices" page of a router	25
Figure 27 Use the IP Address to open the main menu web page.....	25
Figure 28 An IP Address reservation table in a router	26
Figure 29 Adding an address reservation	26
Figure 30 Identifying Illustration for WifiTrax Model WFG-80 EU Declaration of Conformity	28

WFG-80 8-Way Lighting/General Controller Operating Manual

What does WFG-80 8-Way Lighting/General Controller do?

The WFG-80 allows you to control eight LED, low voltage filament lamps or other low-current devices via Wi-Fi.

- You can control lights using a smart phone, tablet or computer, provided it has Wi-Fi capability, using a web browser such as Apple Safari, Google Chrome or Microsoft Edge.
- You can use WifiTrax Tower Operator to build a schematic control panel that can include lights and signals implemented with the WFG-80 as well as switch machines and power districts implemented with other WifiTrax modules.
- You can use a WifiTrax WFG-80 WiThrottle/DCC gateway to control lights connected to one or more WFG-80 using WiThrottle¹ on Apple, Engine Driver² on Android, or a special-purpose hand-held throttle such as TCS UWT-100³ designed to control trains using the Hoffman WiThrottle Protocol⁴. The lights appear as accessories within those apps and devices.
- Four hand-held devices at a time can join the WFG-80 Wi-Fi Access Point, but you can increase this limit using “home-net” mode as described later in this manual.

You don't need to install JMRI to use the WFG-80

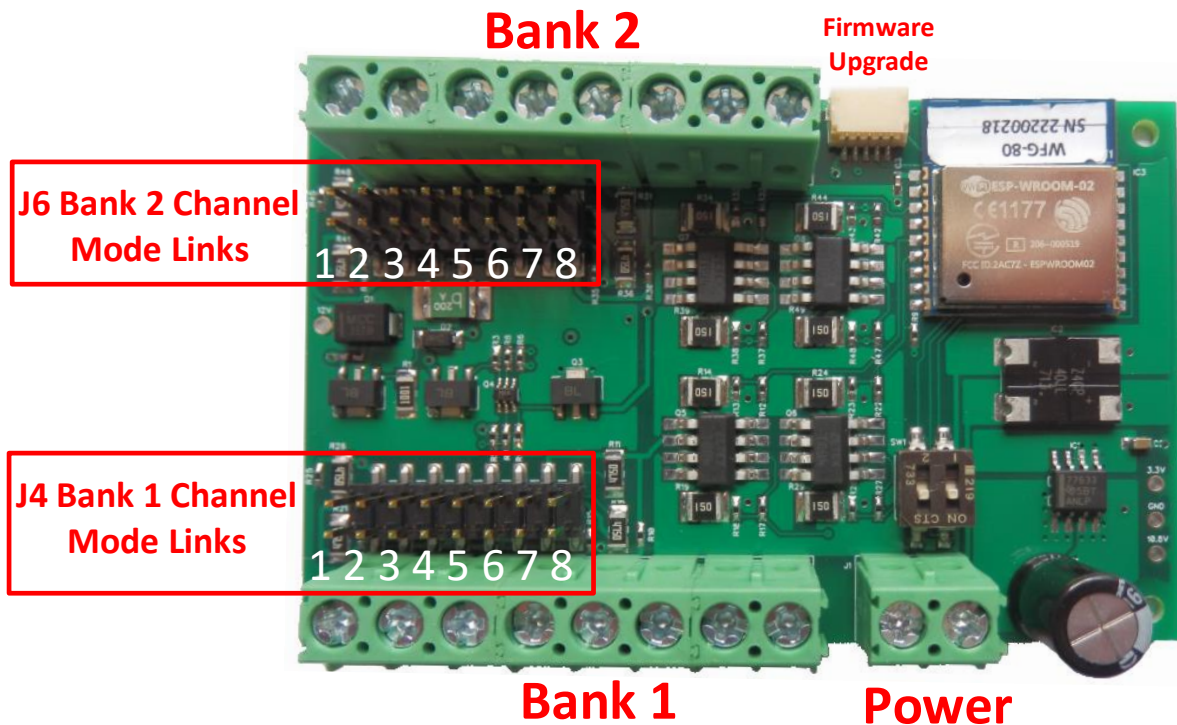


Figure 1 Connections and switches on the WFG-80

Figure 1 shows the WFG-80 module with its connectors labelled. There are two banks of screw connectors, labelled Bank 1 and Bank 2, that each have four pairs of outputs. Each can be connected to an LED, filament

¹ WiThrottle is an app running on Apple IOS written by Brett Hoffman. It is available as a free version (WiThrottle Lite) or a better moderately-priced paid version, both available on the Apple App Store.

² Engine Driver is an app running on Android, written by M. Steve Todd. It is available free on the Google Play Store.

³ UWT-100 is a hand-held controller using the WiThrottle Protocol available from Train Control systems (TCS).

⁴ WiThrottle Protocol is a network protocol invented by Brett Hoffman and used in WiThrottle, Engine Driver, JMRI and the TCS UWT-100. It has become a de-facto industry standard.

WFG-80 8-Way Lighting/General Controller Operating Manual

lamp or some other low current device. Each of these outputs are capable of driving about 70 mA simultaneously with the other channels. This is easily enough to drive light emitting diodes (LEDs) and will also drive small filament lamps. Each pair of outputs has a plus and minus label and when LEDs are connected, the anode of each LED must be connected to the plus terminal as shown in Figure 2.

All the positive terminals of each bank are, in fact, connected together and provide pulse width modulated voltage that allows that bank to have controlled brightness. The negative terminals are switched by the device to conduct or not, so as to turn on or off the individual light source.

Power is supplied via the screw terminals labelled Power in Figure 1 which may be connected with either polarity. A DCC signal may also be used, simply as a power source, but the unit is not designed to work with 50Hz AC.

Each bank has a collection of links that are used to switch one of two resistors to appear in series with each output. This is to allow either filament lamps or LEDs to be accommodated. LEDs require a series resistor to limit the current and, with the link for a channel removed, the series resistance is 1000 ohms (1 K Ω). Either zero or 475 ohms can be placed in series by placing or removing a link as described in Table 1.

A JST connector at the top right in Figure 1 allows firmware upgrade using the [WifiTrax FWA-11](#) together with the [WifiTrax Workshop](#) application running on a Windows computer.

Let's get Started!

Connecting your new WFG-80 Cab Bus Wi-Fi Interface

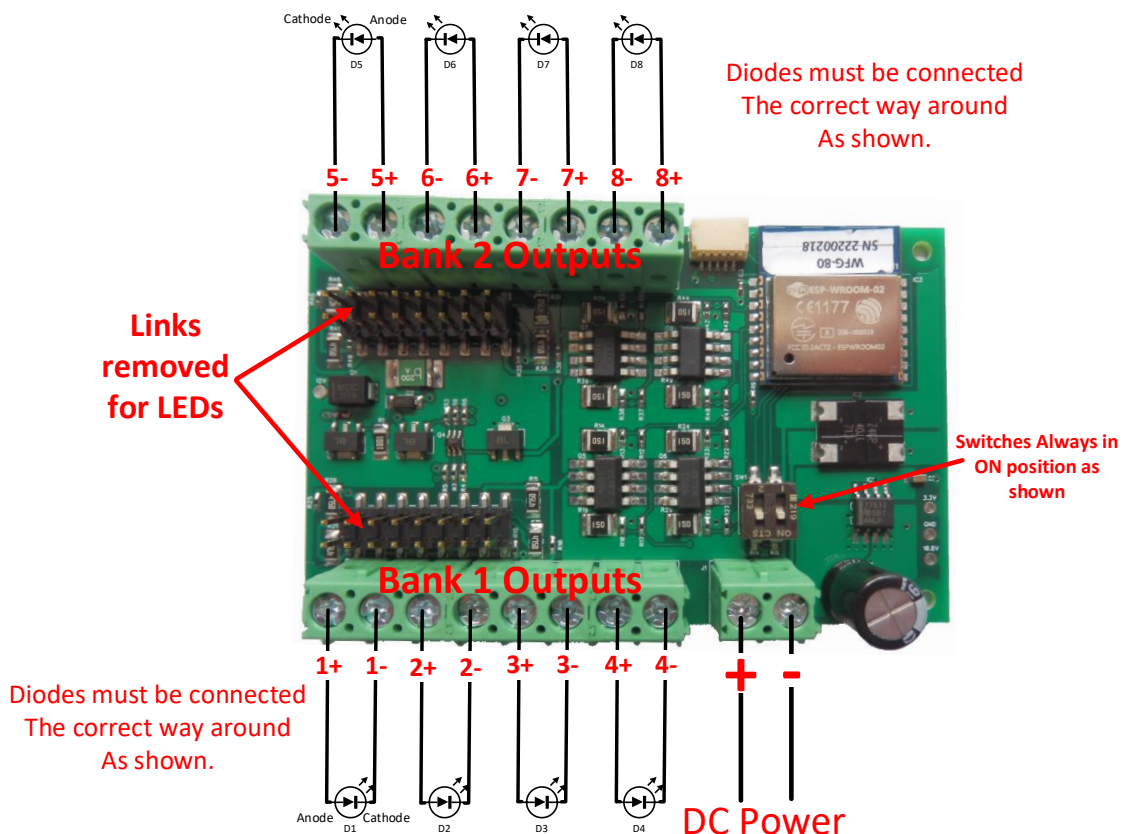


Figure 2 Connections for Light Emitting Diodes (LEDs)

WFG-80 8-Way Lighting/General Controller Operating Manual

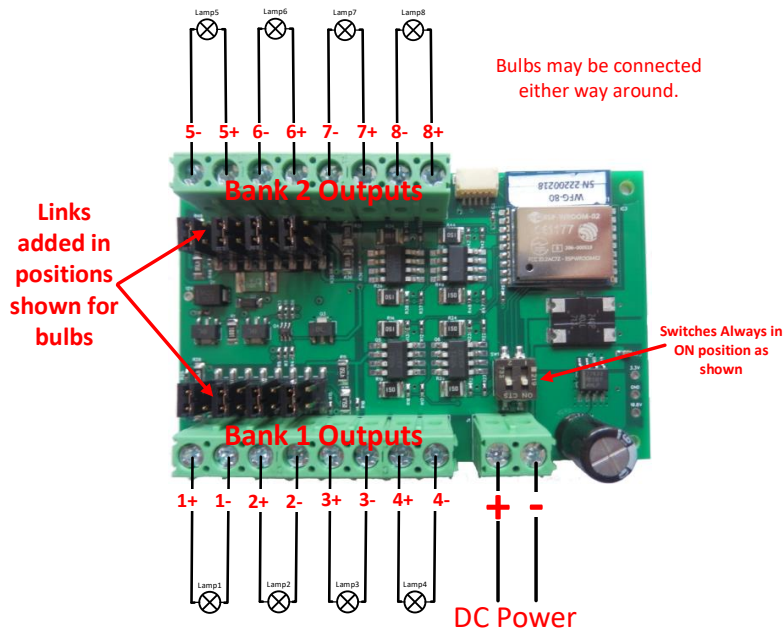


Figure 3 Connection Diagram for Grain-of-Wheat Lamps

Connect your LEDs or filament lamps as in Figure 2 or Figure 3. The only difference is that polarity must be observed with LEDs. If you connect an LED around the wrong way, it will not be damaged but will not light. Filament lamps may be connected either way. Take care to remove all links if you are using LEDs. This is because a series resistor of around 1000 ohm (1K Ω) must be included to limit the LED current. Failure to provide this series resistance will destroy the LED. If you want the LED really bright, you can use a link to set the resistance to 475 ohms, but this will likely shorten the life of the LED. For filament lamps such as “Grain of Wheat” (GOW) lamps, no series resistance is needed. The WFG-80 will not drive lamps requiring more than around 90mA, so only GOW lamps are supported and these should preferably be 9V lamps or less to get good brightness.

Link	Linked	Open	Remarks
J4 1	OUT 1 Direct	Filament Lamp	
J4 2	OUT 1 475 Ohm	LED Bright	Leave open for 1K
J4 3	OUT 2 Direct	Filament Lamp	
J4 4	OUT 2 475 Ohm	LED Bright	Leave open for 1K
J4 5	OUT 3 Direct	Filament Lamp	
J4 6	OUT 3 475 Ohm	LED Bright	Leave open for 1K
J4 7	OUT 4 Direct	Filament Lamp	
J4 8	OUT 4 475 Ohm	LED Bright	Leave open for 1K
J6 1	OUT 8 Direct	Filament Lamp	
J6 2	OUT 8 475 Ohm	LED Bright	Leave open for 1K
J6 3	OUT 7 Direct	Filament Lamp	
J6 4	OUT 7 475 Ohm	LED Bright	Leave open for 1K
J6 5	OUT 6 Direct	Filament Lamp	
J6 6	OUT 6 475 Ohm	LED Bright	Leave open for 1K
J6 7	OUT 5 Direct	Filament Lamp	
J6 8	OUT 5 475 Ohm	LED Bright	Leave open for 1K

Table 1 Link option settings

Sometimes you may wish to connect a signal that has two lamps but only three wires; or perhaps a signal that has 3 lamps but only four wires. This means that one side of each of the lamps is

WFG-80 8-Way Lighting/General Controller Operating Manual

connected together and is a common lead. In this case refer to Figure 4 and Figure 5. Here the positive side is common and only one positive connection is required for each group of lamps.

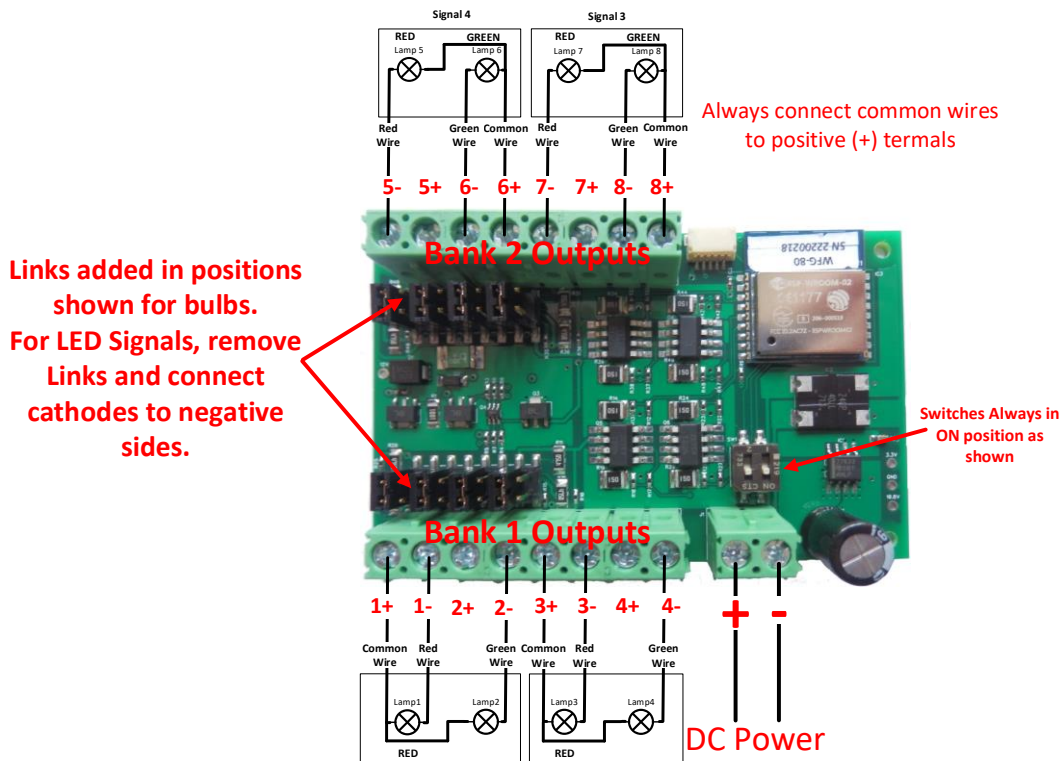


Figure 4 Connecting two-lamp signals with a common lead

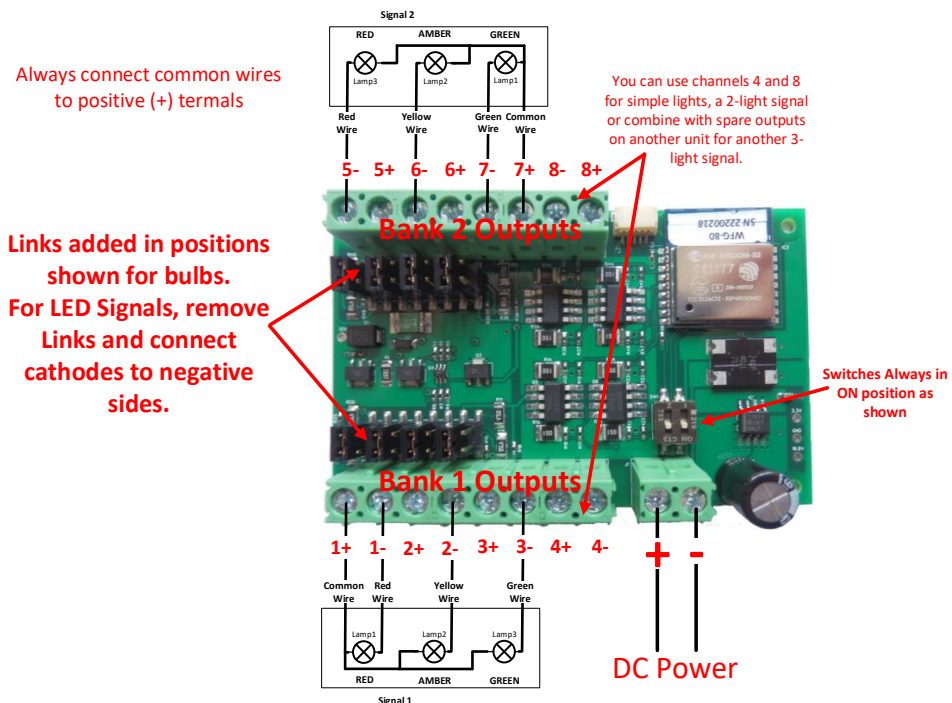


Figure 5 Connecting three-lamp signals with a common lead

Installation Instructions

- (1) First determine what kind of lights you wish to control. WFG-80 will control two basic types: Light Emitting Diodes (LEDs) and low power filament lamps such as "Grain of Wheat Bulbs". You are

WFG-80 8-Way Lighting/General Controller Operating Manual

advised to use GOWS rated around 9 Volts or less. Higher voltage bulbs can be used but they will not be very bright. You can make the lights brighter by using a higher power supply voltage such as 15 Volts instead of 12Volts. Also note that you can turn the dimmers to a higher setting using Tower Operator or the WFG-80 Web pages.

You can mix LEDs and filament lamps on the same board but you must be careful to place the links correctly. The links provide three options for each channel, Direct, "475 Ohm series resistor" or "1000 Ohm series resistor". If you use LEDs you **MUST** use the 475 or 1000-Ohms option for those channels. Direct mode will **DESTROY** LEDs. If you use filament lamps you need to use Direct mode for those channels or the lamps will be very dim. Table 1 shows the link settings.

You can also combine channels to control features with multiple lights like signals. Tower Operator allows you to assign channels to the signal device on the screen once it is physically connected.

- (2) Wire the WFG-80 to your lights or signals according to Figure 2, Figure 3, Figure 4 or Figure 5. Be sure to connect any common wires to the positive side of each of the eight channels.
- (3) Note that each of the two banks can be dimmed independently through software using the WFG-80 Web Pages or the Tower Operator app.
- (4) Note that the two DIP switches must be always in the on position. These are only changed to off for firmware update.
- (5) Connect power to your unit at TRKA and TRKB as shown in Figure 2 through Figure 5. It does not matter which way round you connect the power. You can also use DCC track power but NOT AC. The power should be between 12 and 18 volts.

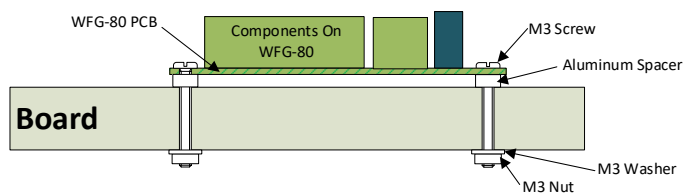


Figure 6 Mounting Suggestion

- (6) Mount the unit using the four M3 metric screws, nuts and spacers provided. Mount the unit on a suitable piece of board, either your baseboard (top or bottom) or a separate board perhaps at the front of your model railroad. The component side of the module should face away from the board as in Figure 6. It is a good idea to mount it somewhere that is easily accessible. If you omit the spacers be sure not to tighten screws so that the unit bends. Take care that no part of the unit touches any metal as this may cause a short circuit and result in permanent damage. Do not mechanically stress or bend the module as this may cause damage. **Take care to ensure that there is adequate ventilation to avoid overheating.**
- (7) **CHECK YOUR WIRING!** Turn on the power. You may test the unit using WFG-80 Web Pages described in the next section. Later you may decide to use the Tower Operator App. Refer to the [Tower Operator Quick Start](#), or [Full Help Pages](#) for instructions on setting up a schematic control panel on your Windows or Android computer or tablet.

Testing and Configuring your WFG-80

You can test and configure the WFG-80 using its web pages which are accessible from any browser on Apple IOS, Android or Windows. For example, you can use Apple Safari on an iPad, Google Chrome on an Android or Microsoft Edge on Windows.

Connecting using an Apple IOS Phone or Tablet

- (1) Tap the Settings icon on your iPhone or iPad



WFG-80 8-Way Lighting/General Controller Operating Manual

- (2) Tap Wi-Fi on the left-hand menu. Under Other Networks on the right, the list should include one like wftrx_WFG80_1_XXXXXXX_7, where XXXXXXX is the serial number of your unit that appears on its label. Tap that Wi-Fi Network and wait for a green check mark that shows it has connected. **You must always connect to this Network to access the WFG-80 web pages** unless you operate in home-net mode.

Connecting using Android

- (1) Press the Home button and tap the Settings icon:



- (2) Tap Connections, then Wi-Fi and select the module's wftrx_WFG80_1_XXXXXXX_7 network as above. Wait for it to show that it has connected.

Connecting using Windows

On your Windows 10 desktop or laptop, click the networks icon in the system tray and select the module's network wftrx_WFG80_1_XXXXXXX_7 as described above.

Testing using the WFG-80 Web pages

- (1) Once you are connected to the module's network, open a browser such as Safari, Chrome or Edge and type the following in the URL bar followed by the Enter or Go key:
192.168.7.1

See Figure 7 which shows the IP Address 192.168.7.1 entered into the author's Edge browser running on Windows 10. This is the IP Address of the WFG-80 web pages when you are connected directly to its wftrx_WFG80_1_XXXXXXX_7 network. When operating like this, the WFG-80 controls all addresses on its own little network. The IP address is the "raw" address of a website. Usually, people do not type an IP address into a browser but browsers do support this. Remember You will not be able to access these pages until you are connected to the module's wftrx_WFG80_1_XXXXXXX_7 network.

- (2) You will see the Main Menu page as below:

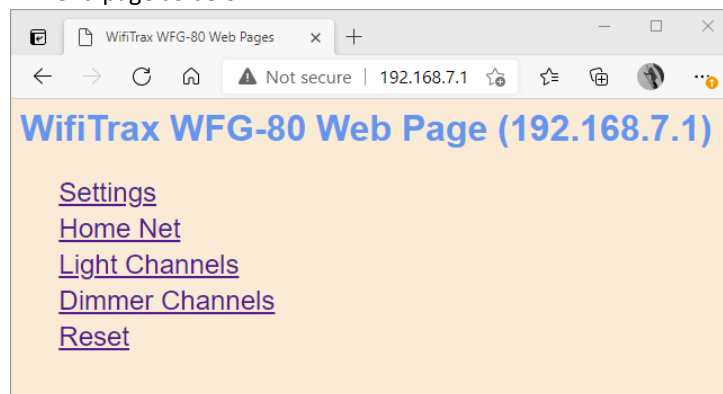


Figure 7 WFG-80 Web Pages - Main Menu

- (3) To test the lighting channels, click or tap the Light Channels option. You will see the screen in Figure 8. The names of each channel default to the serial number plus the channel number as shown. You can change these names later.

WFG-80 8-Way Lighting/General Controller Operating Manual

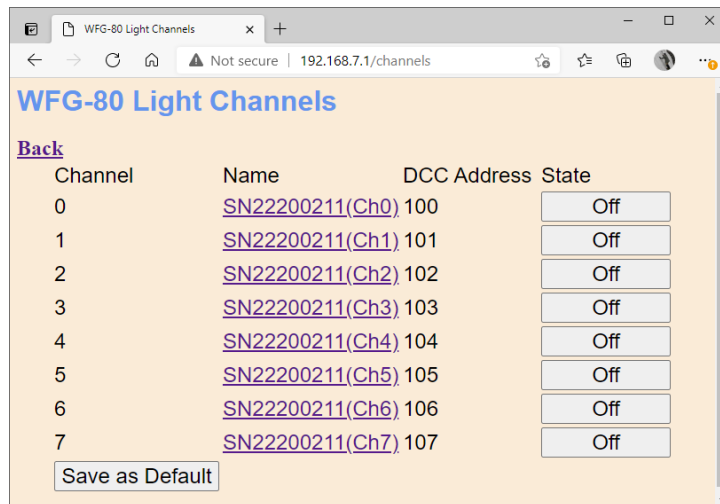


Figure 8 WFG-80 Web Pages – Light Channel List

- (4) Assuming your lights are connected properly, tapping the button in the State column will toggle the light on and off.
- (5) Use the Back hyperlink to return to the Main Menu page, then select Dimmer Channels. Here you can adjust the brightness of each of two banks of four lights as in Figure 9.

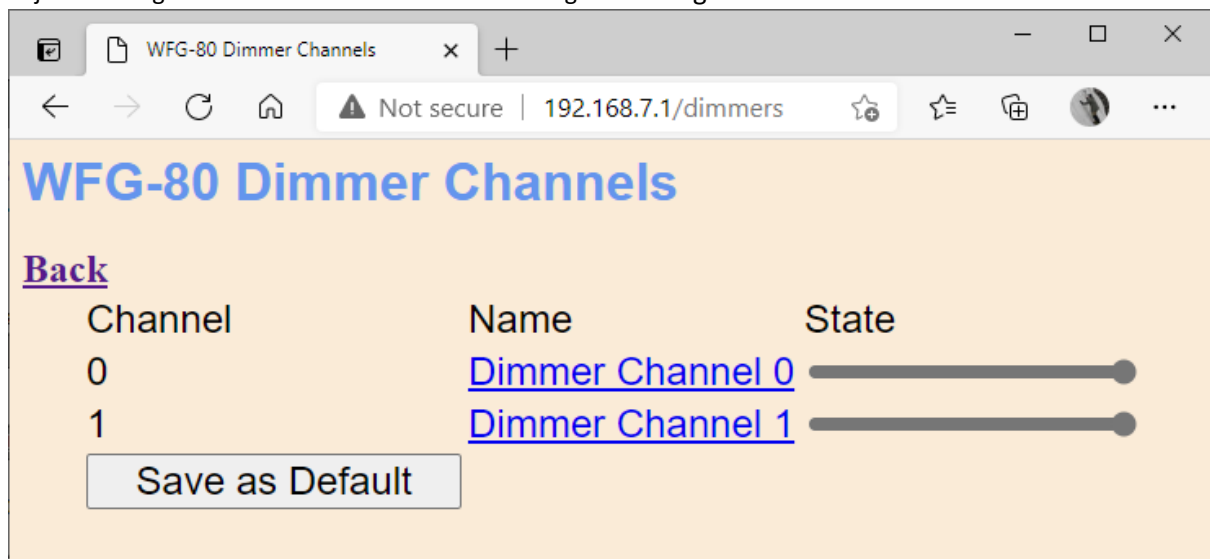


Figure 9 The Dimmer Channels List

- (6) You can also click on each entry in the lights or dimmers list to edit the names and DCC addresses. DCC addresses are relevant if you use the WFD-60 WiThrottle/DCC gateway so your lights can appear as accessories on your DCC system.

For full information on the WFG-80 Web Pages see the section “The WFG-80 Web Pages in Detail”.

Operational Options for the WFG-80

This section describes the options available for operating WFG-80 on your layout, that is to say, how can you turn lights on or off during normal running of trains.

Some Background

The WFG-80 can be controlled in two ways (1) through its Web Pages and (2) through its WifiTrax JSON interface. The JSON interface consist of a defined set of messages that can be sent to the

WFG-80 8-Way Lighting/General Controller Operating Manual

Use WFG-80 Web Pages on a Phone, Tablet or Computer

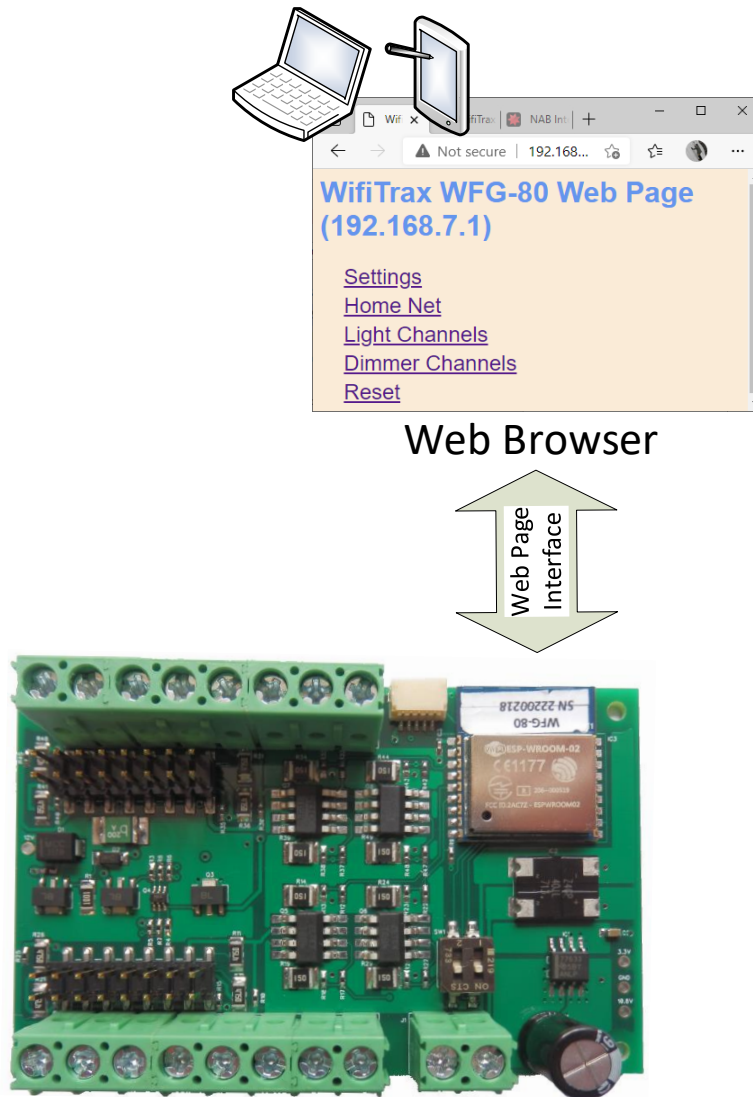


Figure 11 Control of WFG-80 using only its Web Pages

Figure 11 shows this simplest method of operation which is to simply connect a phone, tablet or computer to the WFG-80's Wi-Fi network `wftrx_WFG80_1_XXXXXXX_7` as described in the section "Testing using the WFG-80 Web pages", open a browser at the IP Address 192.168.7.1 and use the web pages described in section "The WFG-80 Web Pages in Detail" to do all of the control you need.

This is OK if your tablet or computer does not need to do anything else on your layout. The problem is that once it is connected to that network, it cannot be connected to anything else, so you cannot use the same tablet/phone/computer to drive a locomotive using, say, the WFD-30 or WDMI-32, or indeed to connect to JMRI. If you have some old phones around, you could dedicate one for this purpose.

However, a much better way of using the web pages for WFG-80 control is to set the WFG-80 into home-net mode. The way to do that is described in the section "Home Net Page". Once in home-net mode, the WFG-80 connects to your home Wi-Fi router as soon as it powers up and you can communicate with its web pages and do other things on your home network as well such as control locos. Using later versions of Android, you can use split screen with the browser in half of the screen and a driving app such as Engine Driver in the other half.

WFG-80 8-Way Lighting/General Controller Operating Manual

What if you have more than one WFG-80? Well, all browsers allow multiple tabs, so you can connect one tab to each WFG-80. If you have other Wi-Fi Layout modules such as WFS-46 or WFS-86, you can have a tab dedicated to those as well.

So, this is a simple way of controlling lights, turnouts and trains. There is a complication in that you do need to know the IP address that your router assigns to each WifiTrax module. Once you know these you can add the web pages for each module to your browser favourites and give them names. A further issue is that the router might not always assign the same address to a module, but on most routers, you can avoid this by reserving IP addresses for each module. Please see the section “Reserving a Fixed IP Address” later in this manual.

Use WFD-60 as a WiThrottle Protocol Gateway

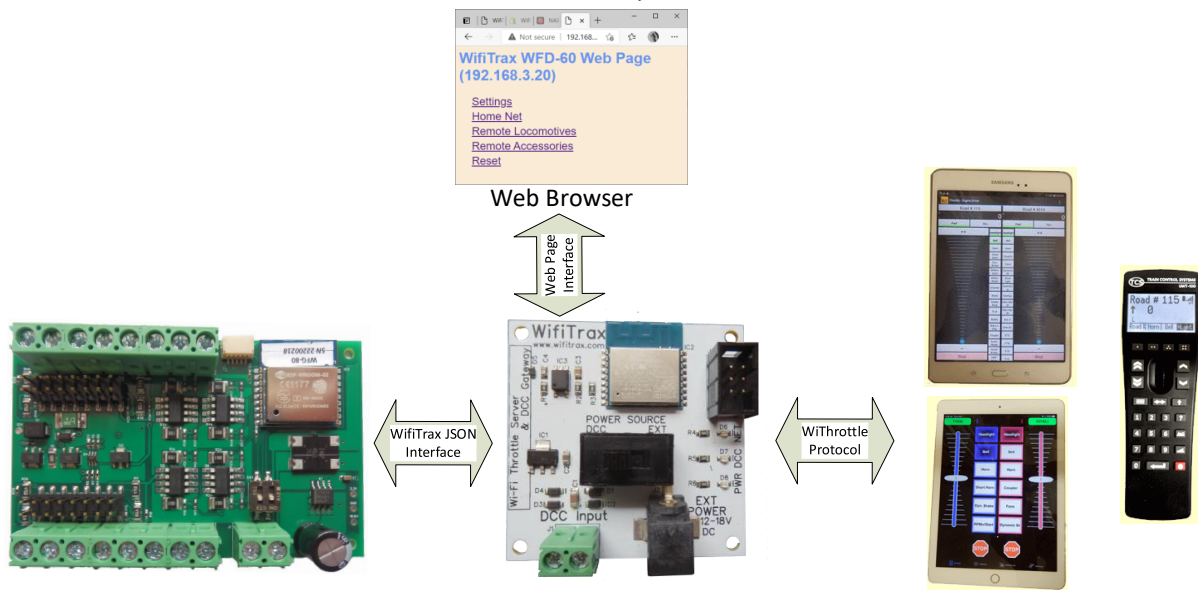


Figure 12 Controlling the WFG-80 via a WFD-60 and WiThrottle Protocol Devices

You can get much more versatile if you use the WFD-60 as in Figure 12. The [WifiTrax WFD-60](#) acts as a WiThrottle Protocol Gateway. This means that once you place it on your home net, it scans a specified range of IP addresses on your home net looking for WifiTrax Modules such as WFG-80 (or the WFS modules). Once it finds one, it determines the channels on it and exposes them as either locomotives or accessories on a WiThrottle Protocol device connected to it.

You control the WFD-60 using its own Web Pages accessible either via a browser or through the Engine Driver or WiThrottle (paid version) apps.

As an example, if you have two WFG-80s on your home net and a WFD-60, the WFD-60 will find the WFG-80 modules and determine that each has 8 channels. When a WiThrottle Protocol device connects to it, such as WiThrottle running on an iPad, it will provide the set of accessories to the WiThrottle app on the iPad using the WiThrottle Protocol. This works with Android Engine Driver, Apple WiThrottle and TCS UWT-100.

With this option then, everything is available through one WiThrottle Protocol Server (the WFD-60) and up to six throttles can connect to it controlling lights and driving trains.

WFG-80 8-Way Lighting/General Controller Operating Manual

Use WFD-60 as a DCC Gateway

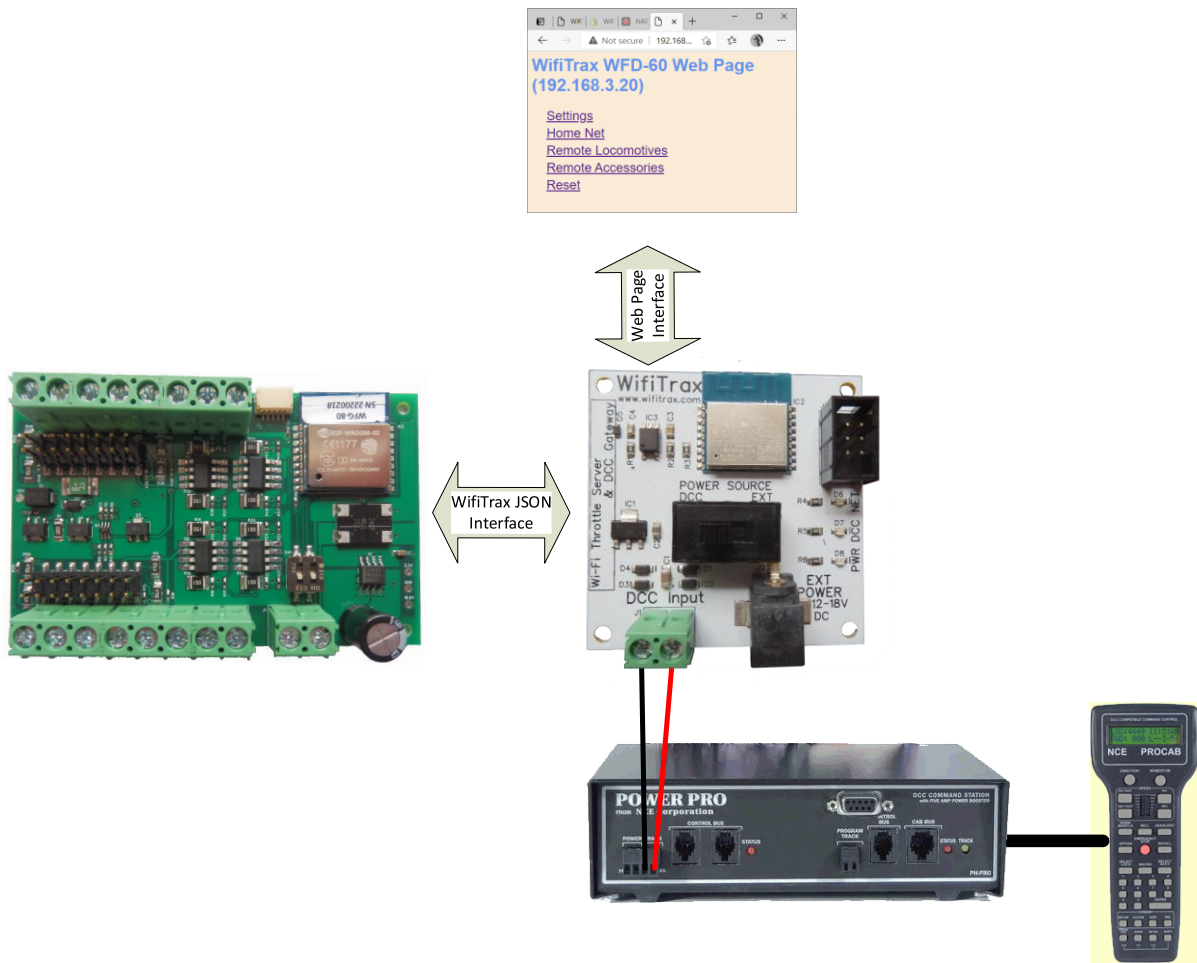


Figure 13 Controlling the WFG-80 using DCC such as an NCE Command Station/Booster

The [WifiTrax WFD-60](#) is also a DCC gateway in that it contains a DCC decoder that responds to any DCC addresses found during the scan of the home net. Figure 13 shows this configuration.

For example, the WFG-80 implements 8 light control channels, each of which can be assigned a DCC accessory address. As far as the module itself is concerned, this is not very relevant since the WFG-80 does not contain a DCC decoder. However, when a WFD-60 finds it, the WFD-60 DCC gateway acts as a proxy and decodes the DCC message, converts it into a WifiTrax JSON Interface message and sends it to the WFG-60. Thus, one can use any DCC command station connected to the WFD-60 to control the channels on the WFG-80 as accessories.

If more than one WFG-80 exist on the home net, their channels must all have unique DCC addresses assigned. Similarly, if you add other modules such as WFS-46/86, all must have unique DCC addresses.

Taking this further, it is now possible to use a system such as JMRI through any supported DCC command station, connected to a WFD-60 to control lights using WFG-80 or switch machines using the [WFS Switch Controller Series](#) or indeed locomotives using the [WDMI Wi-Fi/DCC series](#) or the [WMR-10/WMH-20 Wifi Loco modules](#).

WFG-80 8-Way Lighting/General Controller Operating Manual

Use the Tower Operator App on Windows or Android

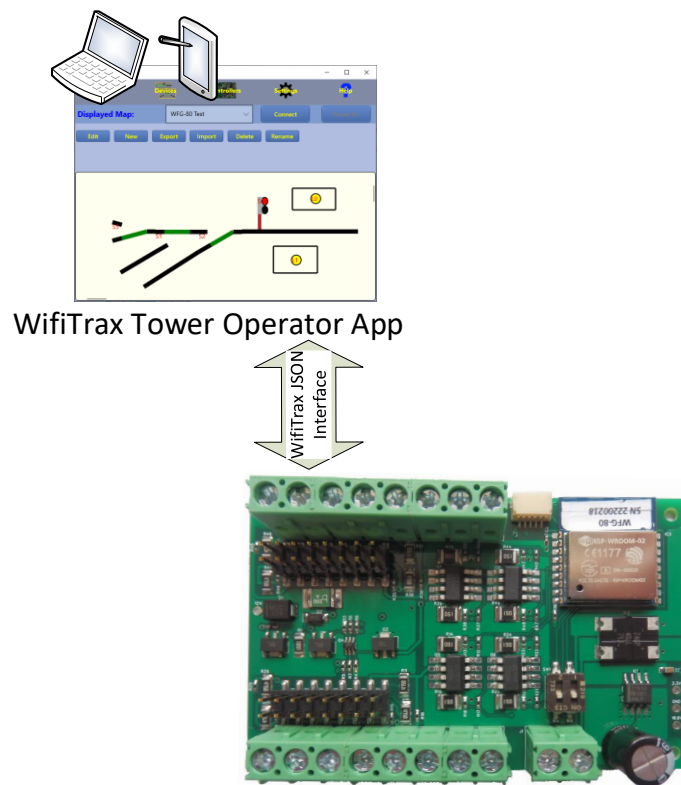


Figure 14 Using the WifiTrax Tower Operator App to control WFG-80 with lights in buildings and signals

[Tower Operator](#) is a complex app, developed by WifiTrax and available free, that runs on Windows 10 or Android. This app allows you to scan your home network for controllers such as WFG-80. You can then use it to create logical devices such as lights and signals whose control points are mapped to channels on the WFG-80 controller.

For example, you could create four lights and two double-light signals. Then you would assign each light to one channel on a WFG-80 and each signal to two of the remaining channels.

Having done this, you can create a map (schematic control panel), such as appears in dispatcher's train control panels, and add the lights and signals to it, together with a track plan. Of course, Tower Operator also supports the [WFS Switch Controller Series](#) so you can create various kinds of switch logical devices such as left and right turnouts, double slips etc. and integrate them all together on a schematic panel for part or all of your layout.

The WFG-80 Web Pages in Detail

The WFG-80 web pages allow configuration and control of the module including overall settings, home net, light channels and dimmer channels. Please remember that these web pages are entirely generated within the module itself and so no internet access is needed to access them.

When the module is not in home net mode, i.e., as it is shipped or after a factory reset, the web pages can be accessed by first connecting a computer or tablet to its Wi-Fi network `wftrx_WFG80_1_XXXXXXXX_7` (where XXXXXXXX is the module's serial number), then using any browser (Chrome, Safari, Edge, etc.) to access the URL 192.168.7.1. In this case the URL typed into the browser is just the IP address of the module on its own network.

WFG-80 8-Way Lighting/General Controller Operating Manual

When the module has been placed on a home net, the IP address will be assigned by the router and you will need to type that IP address into the browser. See the section “Home Net IP Address Assignment”.

Main Menu Page

When you access the address described above, you will be taken to the Main Menu web page as shown in Figure 15.

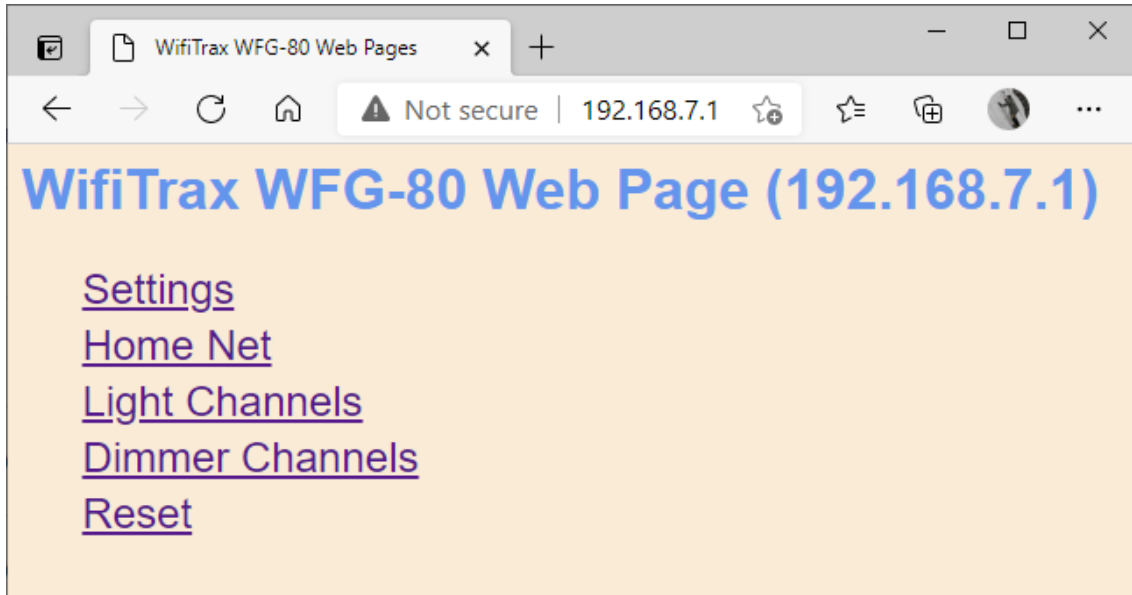


Figure 15 WFG-80 Main Menu page

Settings Page

Access the Settings Page by tapping or clicking the Settings menu item on the Main Menu page.

WFG-80 Settings

[Back](#)

IP, Rg, SN: 192.168.7.1, 0, 22200211
F/W Ver. Heap C/M RC: 2.0.3, 35624/32280 1
Module Name: SN22200211
Wi-Fi Channel: 1
Net Number: 7

Save

Figure 16 WFG-80 Settings page

The Settings page in Figure 16 has some lines of information and some items that can be changed.

The first line shows the current IP address of the module and in the example, it is the address that it always takes on its own network. On the same line is the region code, either 1 for North America or 0 for the rest of the world. Following this, on the same line is the serial number.

The second line shows the firmware version followed by some debug information relating to something called the “heap” formatted as: (Current heap space)/(Minimum recorded heap space). Lastly on the second line is the number of restarts since a factory reset.

The third line shows the current name of the module which defaults to SN followed by the serial number. You may change this to anything up to 10 characters without spaces.

The next line shows the Wi-Fi channel, defaulted to channel 1 on the 2.4GHz band. You can change this to a value from 1 to 11 in North America or 1 to 13 in the rest of the world. This channel is only applicable when the module is NOT in home-net mode. In home-net mode, the Wi-Fi channel is determined by the router.

Lastly, there is an option to change the Net Number which defaults to 7. This is the number that appears in the IP address as the third number, e.g., 192.168.NN.1, where NN is the net number. Again, this is only applicable when the module is NOT in home-net mode since in home-net mode the IP address is assigned by the router.

When any of these are changed, it is necessary to click on the Save button. If any of the settings are invalid, none will be accepted. If all the settings are valid, they will be saved in Flash memory permanently. A factory reset will restore default values.

Wi-Fi changes will not have any effect until the power is cycled.

WFG-80 8-Way Lighting/General Controller Operating Manual

Home Net Page

The Home Net page in Figure 17 is accessed by tapping or clicking the Home Net item in the Main Menu page.

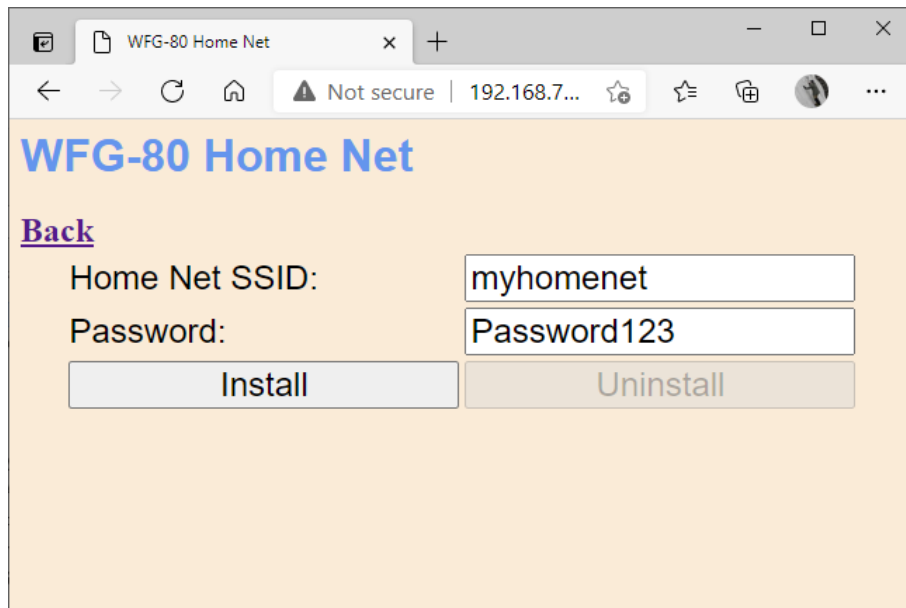


Figure 17 WFG-80 Home Net page

The Home Net page is used to place the module on your Home Wi-Fi Network. Once this is done, you can access the module without connecting to its own network, indeed its own network will no longer be advertised. Once in home-net mode, each time on power-up, the module will attempt to connect to the specified home network. After a certain period of time, if it fails, it will revert to its original (direct i.e., non-home-net) mode and begin advertising its own wftx_WFG80_1_XXXXXXX_7 network again. Thus, if your home network is not accessible, you can always go back to accessing it in direct mode.

To set the module into home-net mode you need your home network's SSID and password, which must be entered on this page, as in the example followed by clicking the Install button. You can usually find your SSID and password on a card supplied by your internet service provider. Or, of course, you may have changed it.

When the module goes into home-net mode it will restart and you will lose access to these web pages. To display them again, use the IP address assigned by your router, see section "Home Net IP Address Assignment".

When the module is in home-net mode, you can also use this page to remove it from the home net and go back to direct mode. The module will restart and you will lose access to these web pages. To display them again use the IP address 192.168.7.1.

You can leave the Home Net page without changing anything by clicking Back.

Light Channels Page

Access the Light Channels Page by tapping or clicking the Light Channels menu item on the Main Menu page.

WFG-80 8-Way Lighting/General Controller Operating Manual

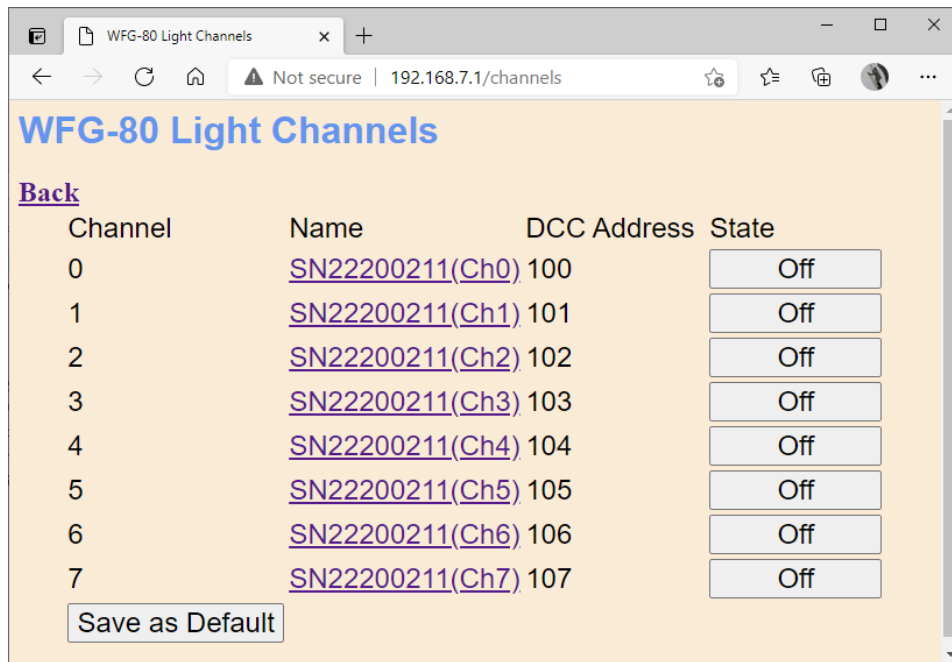


Figure 18 WFG-80 Light Channels page

This page, shown in Figure 18 lists all of the output channels of WFG-80 used to drive lights. Each channel has a number from zero to seven, a name, a DCC address and a state column showing the channels current state. The name and DCC address will be supplied to any WFD-60 gateway module that discovers the WFG-80 module on the home net. The DCC address will determine the accessory address for which a WFD-60 will accept a DCC Accessory Command on its DCC bus input.

The buttons in the right-hand column under the State heading can be used to toggle the output of that channel between on and off.

The Save as Default button will cause the current states of all the channels to be saved into flash memory to define the power-on default state.

Clicking or tapping on the hyperlinks for a given row in the Name column will open an edit page for the channel represented by that row.

Click the Back hyperlink to return to the Main Menu page.

WFG-80 Light Channel Edit Page

This page, shown in Figure 19 allows editing of the name and DCC address for one of the light channels. Click Save to cause the new values to take effect.

The name can be up to 31 characters long.

The DCC address can be up to 9999.

If any entry is invalid, none will be saved.

WFG-80 8-Way Lighting/General Controller Operating Manual

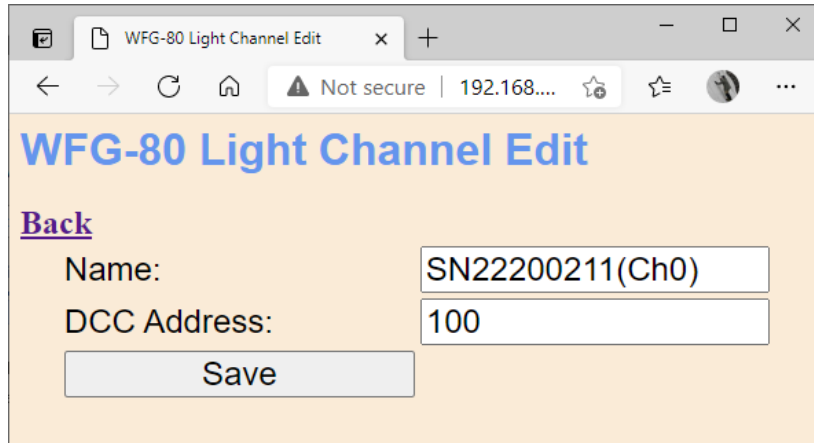


Figure 19 WFG-80 Light Channel Edit page

Dimmer Channels Page

This page, shown in Figure 20, is entered by tapping Dimmer Channels on the Main Menu page. It lists the dimmer channels that control the brightness of the two banks of light channels.

The page lists the Channel, Name and State of each dimmer channel. The state is indicated by a slider which may be changed to alter the brightness of the lights connected to the bank controlled by that dimmer. Moving the slider left makes the lights less bright, moving to the right makes them brighter.

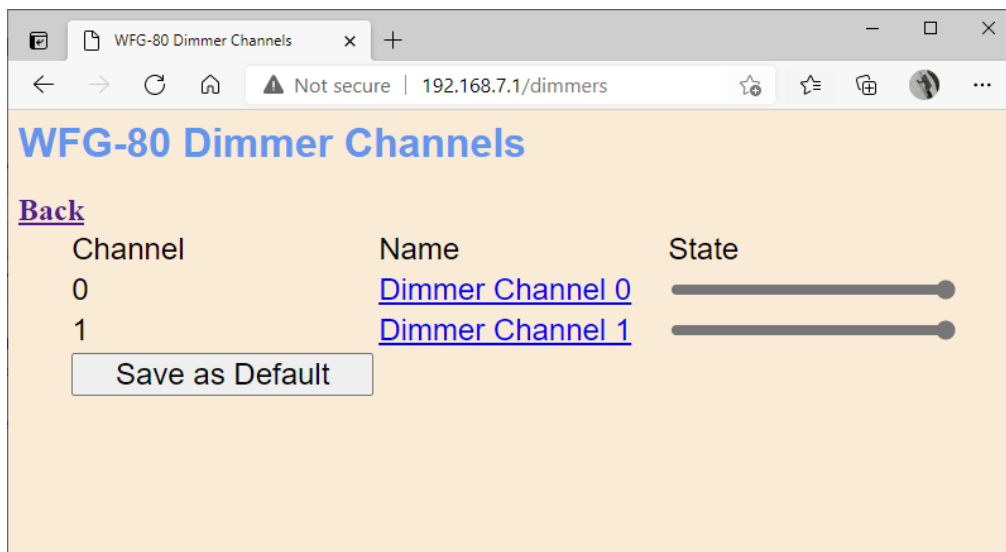


Figure 20 WFG-80 Dimmer Channels page

Clicking on the hyperlink for a given row under the Name heading opens the edit page for the dimmer channel represented by that row.

Clicking the Save as Default button causes the current setting of the dimmers to be saved into flash as the default power-up state.

Return to the Main Menu by clicking the Back hyperlink.

Dimmer Edit Page

This page, in Figure 21, is entered by clicking on the hyperlink for a given row in the Dimmer Channels page. It allows editing of the name of the dimmer channel. The name can be up to 31

WFG-80 8-Way Lighting/General Controller Operating Manual

characters long. Click Save to cause the new name to take effect or click Back to return to the Dimmer Channels page leaving the name unchanged.

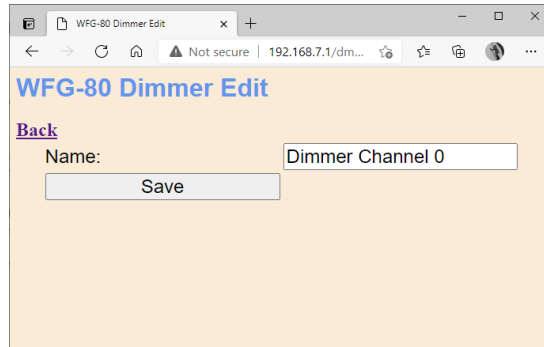


Figure 21 Dimmer Channel Edit page

Reset Page

The Reset page is entered by clicking Reset on the Main Menu. Clicking Continue will reset the module to its factory configuration. This includes removing any home-net settings. Any renaming or changing of DCC channels will be lost. To return to the Main Menu without resetting, click the Cancel hyperlink.



Figure 22 The Factory Reset page

Tips to Manage your Home Network

Connection to your Home Router

When you set a WFG-80 module to Home-net mode, it will immediately restart and try to connect to the Wi-Fi Access point that you specified in the SSID, using the password that you supplied. From then on, it will try to connect each time you power on. If the connection is unsuccessful, it will give up after about 30 seconds and revert back to Direct mode to allow you to connect and either correct the problem or return it to Direct mode. Usually, failure to connect occurs because the password or SSID is incorrect, so you would need to double check that, but it might be because your home router is too far away or is turned off.

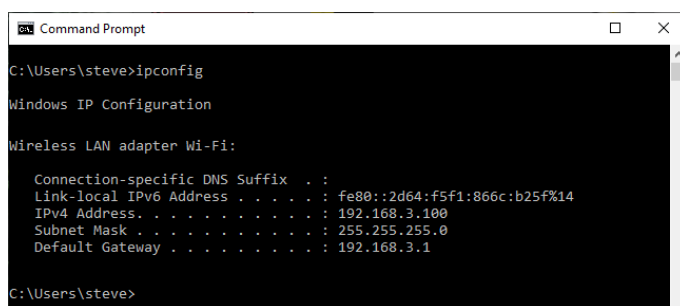
Sometimes routers refuse connections because of some internal hang-up problem and need to be restarted from time to time. Also, occasionally there are so many people operating Wi-Fi devices in an area that there is just too much radio traffic. In this case changing the router to a different channel may work. Remember that in Home-net mode, the WFG-80 always uses the Wi-Fi channel of the router that it is connected to, so changing the channel only affects direct mode. To change channel in home-net mode, you need to change the channel of your router.

Home Net IP Address Assignment

Every device connected to a network needs an IP Address and when your WFG-80 successfully connects to your home router, the router will allocate it an IP Address from a list of unused addresses. This process is called DHCP (Dynamic Host Control Protocol) and you can Google the term to find all the information you would like. IP Addresses are leased to connected devices and it is possible that the next time you turn on your WFG-80, the lease will have expired and the router will give it a different IP Address. This is particularly likely if your WFG-80 has been off for a long time and other devices have connected to the router, or the router has been restarted.

To access your WFG-80 from a browser such as Internet Explorer, Edge, Chrome or Safari, you need to know its IP Address. Probably the best way is to visit the Admin page of your router.

- (1) To do this, type the address of your gateway into a browser. You can find the gateway address by opening a Windows command console and typing the ipconfig command:



```
Command Prompt
C:\Users\steve>ipconfig

Windows IP Configuration

Wireless LAN adapter Wi-Fi:

    Connection-specific DNS Suffix  . : 
    Link-local IPv6 Address . . . . . : fe80::2d64:f5f1:866c:b25f%14
    IPv4 Address. . . . . : 192.168.3.100
    Subnet Mask . . . . . : 255.255.255.0
    Default Gateway . . . . . : 192.168.3.1

C:\Users\steve>
```

Figure 23 Using ipconfig to find your computer's IP address and default gateway

- (2) Figure 23 shows the result. Now take the default gateway IP Address, 192.168.3.1 in this example, and type it into the address bar of your favorite browser, then hit the Enter key.

WFG-80 8-Way Lighting/General Controller Operating Manual

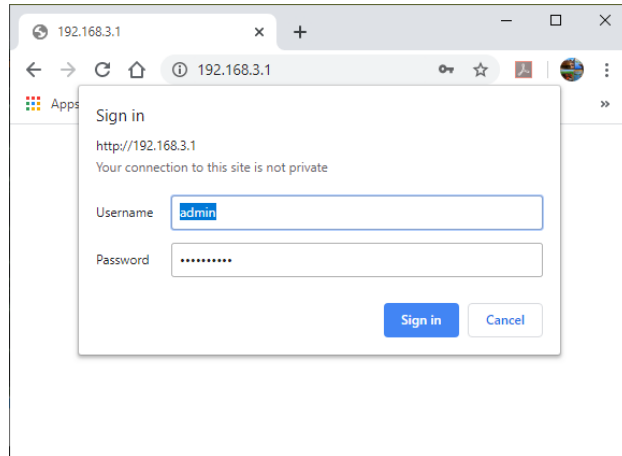


Figure 24 Access your router by using the IP Address of your default gateway in a browser

- (3) The browser will ask for your user-name and password to access your router's admin page. You can find this in one of these places, unless you have changed it:
- A sticker on your router, at the back or underneath. Look for the Admin user name and password (this is not always the same as your Wi-Fi password),
 - On a card supplied by your internet service provider or telco,
 - In the leaflet that came with your router.

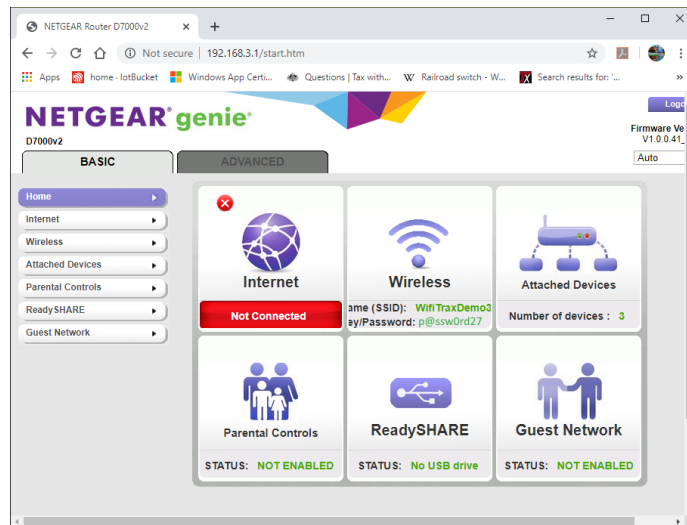


Figure 25 A typical router admin page

- (4) Once you have given the credentials, you will see the admin page. A typical one is shown for a Netgear D7000 in Figure 25. Find the "Attached Devices" option and click on it.

WFG-80 8-Way Lighting/General Controller Operating Manual

Attached Devices

Go to [Access Control](#) to allow or block devices.

Access Control: Turned Off [Refresh](#)

Wired Devices

#	IP Address	MAC Address	Device Name
---	------------	-------------	-------------

2.4G Wireless Devices (Wireless intruders also show up here)

SSID	IP Address	MAC Address	Device Name
WifiTraxDemo3	192.168.3.100	54:27:1E:FA:CE:DB	SSS105
	192.168.3.101	34:8A:7B:04:03:8C	Galaxy-Tab-A
	192.168.3.103	C0:B6:58:B6:A9:C9	iPad-3
--	192.168.3.9	DC:4F:22:39:EA:C0	ESP_39EAC0
--	192.168.3.10	DC:4F:22:39:EB:2A	ESP_39EB2A

5G Wireless Devices (Wireless intruders also show up here)

SSID	IP Address	MAC Address	Device Name
------	------------	-------------	-------------

VPN Client Devices

Device Name	Remote IP Address	Local IP Address	Connection Time
-------------	-------------------	------------------	-----------------

Figure 26 Typical "Attached Devices" page of a router

- (5) You will see a screen something like Figure 26. Find the row where the MAC address matches that printed on the bag label of your WFG-80 device. Here the MAC Address DC:4F:22:39:EA:C0 matches the STA MAC Address on the bag label, so the IP Address that was assigned by the router is 192.168.3.9
- (6) Now open another tab in your browser and type the IP Address, 192.168.3.9 in this case, into the address bar to get the main menu web page of your WFG-80. You can save this in your browser favourites to make it easier to access next time.

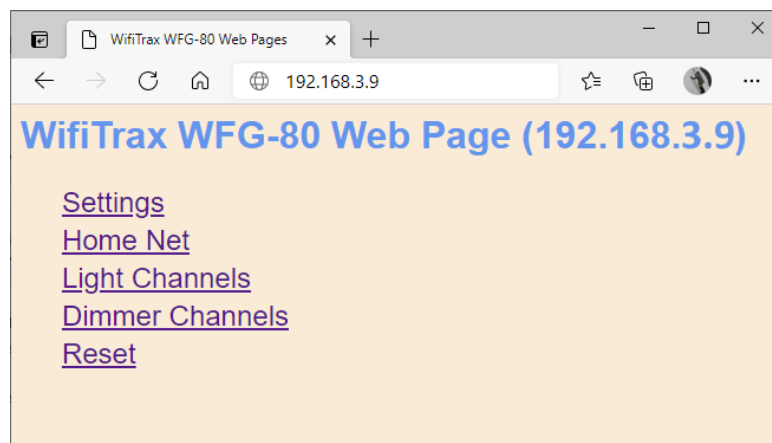


Figure 27 Use the IP Address to open the main menu web page

Reserving a Fixed IP Address

That's all well and good but earlier it was said that routers do not always assign the same IP Address!

WFG-80 8-Way Lighting/General Controller Operating Manual

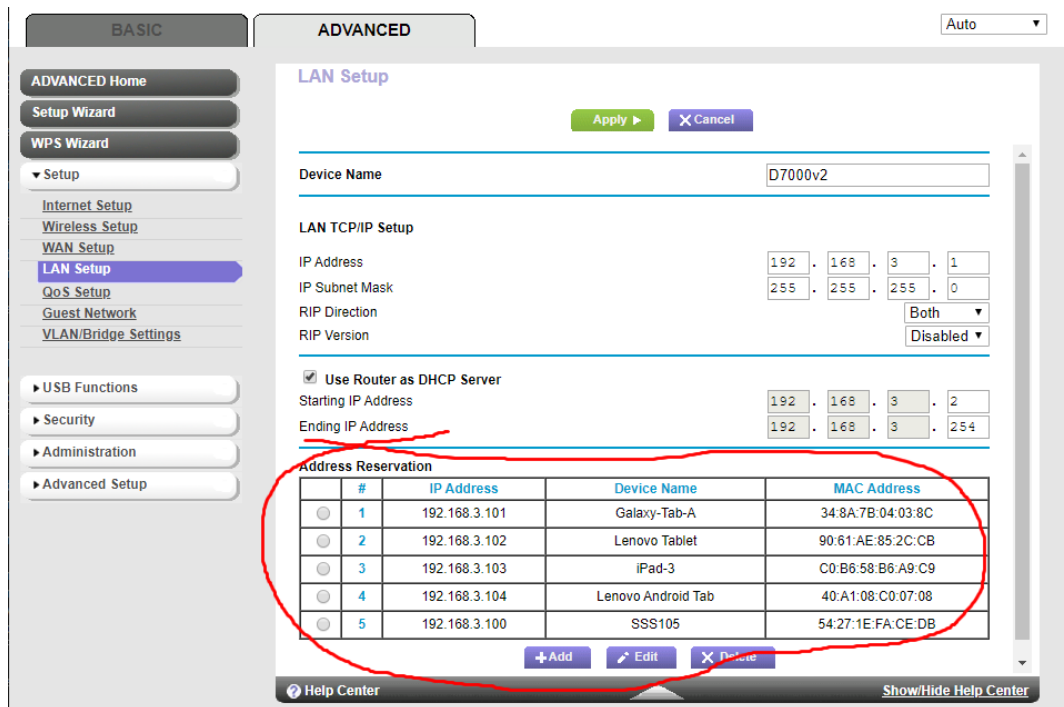


Figure 28 An IP Address reservation table in a router

Well, while you're in the router admin page you can *reserve a fixed IP Address* for your WFG-80 module. In the Netgear D7000v2 that is used here as an example, you need to click the Advanced tab, then the Setup menu and the LAN Setup sub-menu. The table at the bottom of Figure 1 shows the Address Reservation Table. In this router, you can see that there are already 5 reservations and to add a new one, we hit the Add button.

Then type in the IP Address and MAC Address from Figure 26, give the reservation a device name something like "WFG-80-1" and hit Add as Figure 29.

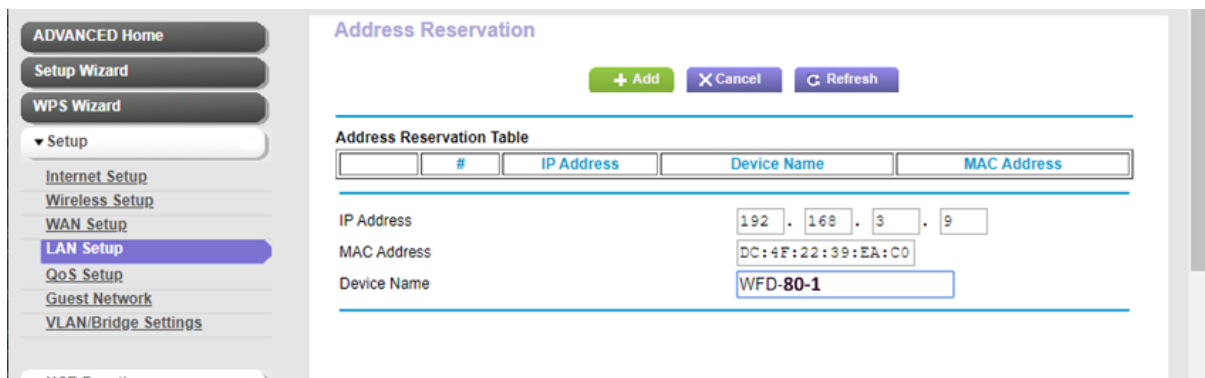


Figure 29 Adding an address reservation

Usually, you have to click the Apply button to restart the router, then check the reservation page to make sure the new one is there. Now your module will always have the same IP Address when it connects to the router after cycling power.

More Information

Tower Operator Detailed Help Pages:

<http://www.wifitrax.com/help/toweroperator/help.html>

WFG-80 8-Way Lighting/General Controller Operating Manual

<http://www.wifitrax.com/help/towerOperator/help.html>

Article about Wi-Fi/DCC:

<http://www.wifitrax.com/appNotes/WiFi-DCC.pdf>

Access all the articles:

<http://www.wifitrax.com/appNotes/howToArticles.html>

FCC Information

Radio or TV Interference (this information is MANDATED by the FCC)

This equipment incorporates Espressif Wi-Fi Transceiver Module ESP-WROOM-02D.

FCC Identifier: 2AC7Z-ESPWROOM02D.

This equipment has been tested and found to comply with the limits for a Class B digital device, pursuant to part 15 of the FCC rules. These limits are designed to provide reasonable protection against harmful interference in a residential environment. This equipment generates, uses and can radiate radio frequency energy and, if not installed and used in accordance with the instruction manual, may cause harmful interference to radio communications. However, there is no guarantee that interference will not occur in a particular installation. If this equipment does cause harmful interference to radio or television reception, which can be determined by turning the equipment off and on, the user is encouraged to try to correct the interference by one or more of the following measures:

- Reorient or relocate the receiving antenna.
- Increase the separation between the equipment and the receiver.
- Connect the equipment into an outlet on a circuit different from that to which the receiver is connected.
- Consult the dealer or an experienced radio/TV technician for help. **Note that any modifications to the equipment not expressly approved by WifiTrax voids the user's authority to operate under and be in compliance with CFR 47 rules**, as administered by the Federal Communication Commission. WifiTrax believes any conscientiously installed equipment following guidelines in this manual would be unlikely to experience RFI problems.

For Canadian Users: "This digital apparatus does not exceed the Class B limits for Radio noise emission from digital apparatus set out in the Radio Interference Regulation or the Canadian Department of Communications." Le present appareil numerique n emet pas de bruits radio-electriques depassant les limites applicables aux appareils numeriques de la classe B prescrites dans le Reglement sur le brouillage radioelectrique edicte par le ministere des Communications du Canada.

WFG-80 8-Way Lighting/General Controller Operating Manual

EU Declaration of Conformity

1. Radio equipment: WifiTrax Model WFG-80 8-Way Lighting/General Controller Module

2. Name and address of the manufacturer or his authorised representative:

WifiTrax Model Science (A business owned by Steve Shrimpton Sciences Pty. Ltd. a company registered with the Australian Securities and Investments Commission ACN: 076 070 258)

116 The Gully Road, Berowra NSW 2081 Australia

3. This declaration of conformity is issued under the sole responsibility of the manufacturer.

4. Object of the declaration:

WifiTrax Model WFG-80 8-Way Lighting/General Controller as pictured in Figure 30 and identified by a label on the module bearing the model number WFG-80.

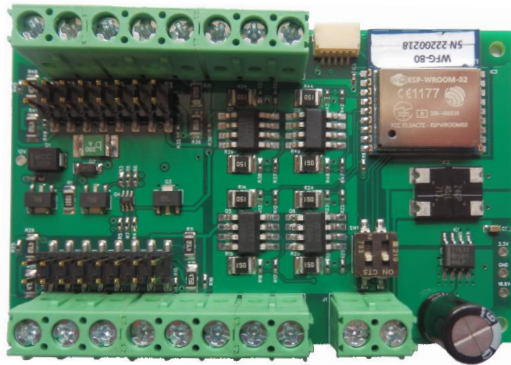


Figure 30 Identifying Illustration for WifiTrax Model WFG-80 EU Declaration of Conformity

5. The object of the declaration described above is in conformity with the relevant Union harmonisation legislation: Directive 2014/53/EU

6. Description of accessories and components, including software, which allow the radio equipment to operate as intended and covered by the EU declaration of conformity:

ESP-WROOM-02D Wi-Fi Internet of Things Module, Espressif Systems (Shanghai) Co., Ltd.

EU-type Examination (Module B) Certificate No. 192140277/AA/00

Issued by Telefication BV The Netherlands, Chamber of Commerce 51565536, www.telefication.com

7. Additional information:

Manufacturer has undertaken engineering analysis and appropriate testing to determine the subject of this declaration performs in its electromagnetic characteristics in the manner specified for the radio module identified in item 6 above.

Module is configured for EU market to allow Wi-Fi Channels 1 through 13 in the 2.4GHz Wi-Fi band.

Signed for and on behalf of: WifiTrax Model Science March 17, 2021, Berowra NSW Australia

Stephen J Shrimpton, Chief Engineer, Director